

Cabinet U-Handles

Steel / Stainless Steel / Aluminum

SPECIFICATION

Version in Steel

Steel

Powder coated

Black, RAL 9005, textured finish **SW**

Chrome-plated **CR**

Blackened **BT**

Location disks

Zinc die casting, nickel plated

Version in Aluminum

Aluminum **AL**

Black, RAL 9005, textured finish **SW**

Silver, RAL 9006, textured finish **SR**

Red, RAL 3000, textured finish **RS**

Anodized, natural colour **EL**

Location disks

Zinc die casting, nickel plated

Version in Stainless Steel

Stainless steel **NI**

- AISI 303 for $d_1 = 8, 10$

- AISI 304 for $d_1 = 12$

- Matte shot-blasted finish **GS**

- Electropolished **EP**

Stainless Steel AISI 316L **A4**

Matte shot-blasted finish **GS**

Location disks

- Stainless Steel AISI 303 (for NI)

- Stainless Steel AISI 316 L (for A4)



INFORMATION

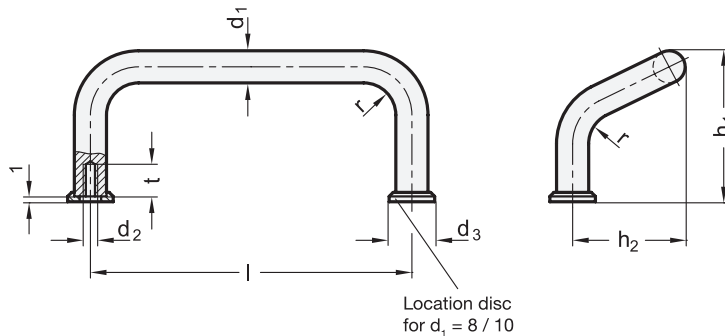
Cabinet U-Handles GN 425.1 are manufactured from a bent steel profile. Cabinet U-handles with $\varnothing d_1 = 8$ and 10 are delivered with two location disks to ensure proper contact of the handle even in the case of large connecting holes. The disks are loosely enclosed.

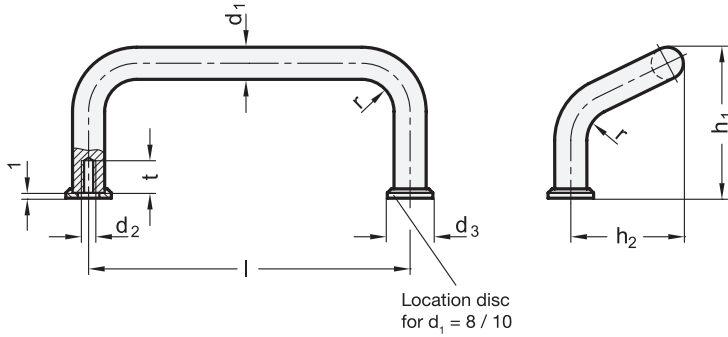
The stainless steel version is preferred over the chrome-plated version in steel for outdoor applications.

TECHNICAL INFORMATION

- Stainless Steel Characteristics (see page A26)

- Load rating information (see page A35)





* Complete with

- SW** **CR** **BT**
- RAL9005 Chrome-plated Blackened

GN 425.1

Description	d ₁	l ±0.25	d ₂	d ₃	h ₁	h ₂	r	t min.	⚖
GN 425.1-8-55-*	8	55**	M 4	12	40	30	9	8	57
GN 425.1-8-64-*	8	64	M 4	12	40	30	9	8	63
GN 425.1-8-88-*	8	88**	M 4	12	40	30	9	8	70
GN 425.1-8-96-*	8	96	M 4	12	40	30	9	8	75
GN 425.1-8-100-*	8	100	M 4	12	40	30	9	8	76
GN 425.1-10-88-*	10	88	M 5	15	47	35	11	12	113
GN 425.1-10-100-*	10	100	M 5	15	47	35	11	12	124
GN 425.1-10-120-*	10	120**	M 5	15	47	35	11	12	131
GN 425.1-10-180-*	10	180**	M 5	15	47	35	11	12	176
GN 425.1-10-200-*	10	200	M 5	15	47	35	11	12	189
GN 425.1-12-125-*	12	125	M 6	-	60	44	12	12	221
GN 425.1-12-160-*	12	160	M 6	-	60	44	12	12	251
GN 425.1-12-200-*	12	200	M 6	-	60	44	12	12	285
GN 425.1-12-250-*	12	250	M 6	-	60	44	12	12	336

Weight SW

** suitable for 19" rack and enclosure layout

* Complete with

- SW** **SR** **RS** **EL**
- RAL 9005 RAL 9006 RAL 3000 Anodized

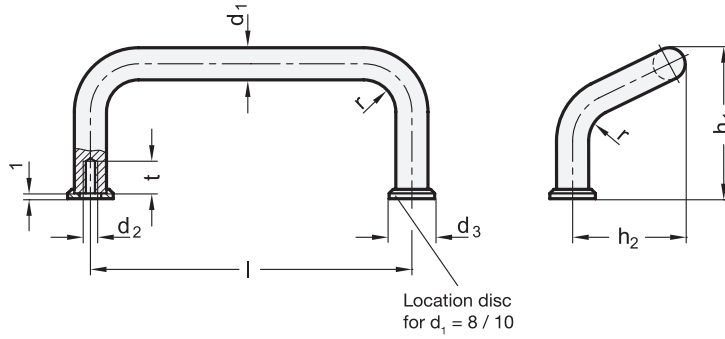
GN 425.1-AL

Description	d ₁	l ±0.25	d ₂	d ₃	h ₁	h ₂	r	t min.	⚖
GN 425.1-AL-8-55-*	8	55**	M 4	12	40	30	9	8	23
GN 425.1-AL-8-64-*	8	64	M 4	12	40	30	9	8	24
GN 425.1-AL-8-88-*	8	88**	M 4	12	40	30	9	8	28
GN 425.1-AL-8-96-*	8	96	M 4	12	40	30	9	8	29
GN 425.1-AL-8-100-*	8	100	M 4	12	40	30	9	8	29
GN 425.1-AL-10-88-*	10	88**	M 5	15	47	35	11	12	44
GN 425.1-AL-10-100-*	10	100	M 5	15	47	35	11	12	44
GN 425.1-AL-10-120-*	10	120**	M 5	15	47	35	11	12	54
GN 425.1-AL-10-180-*	10	180**	M 5	15	47	35	11	12	65
GN 425.1-AL-10-200-*	10	200	M 5	15	47	35	11	12	69
GN 425.1-AL-12-125-*	12	125	M 6	-	60	44	12	12	78
GN 425.1-AL-12-160-*	12	160	M 6	-	60	44	12	12	90
GN 425.1-AL-12-200-*	12	200	M 6	-	60	44	12	12	102
GN 425.1-AL-12-250-*	12	250	M 6	-	60	44	12	12	117

Weight SW

** suitable for 19" rack and enclosure layout





GN 425.1-NI

STAINLESS STEEL

Description	d ₁	l ±0.25	d ₂	d ₃	h ₁	h ₂	r	t min.	⚖
GN 425.1-NI-8-55-GS	8	55**	M 4	12	40	30	9	8	58
GN 425.1-NI-8-55-EP	8	55**	M 4	12	40	30	9	8	57
GN 425.1-NI-8-64-GS	8	64	M 4	12	40	30	9	8	61
GN 425.1-NI-8-64-EP	8	64	M 4	12	40	30	9	8	61
GN 425.1-NI-8-88-GS	8	88	M 4	12	40	30	9	8	70
GN 425.1-NI-8-88-EP	8	88	M 4	12	40	30	9	8	70
GN 425.1-NI-8-96-GS	8	96	M 4	12	40	30	9	8	75
GN 425.1-NI-8-96-EP	8	96	M 4	12	40	30	9	8	75
GN 425.1-NI-8-100-GS	8	100	M 4	12	40	30	9	8	75
GN 425.1-NI-8-100-EP	8	100	M 4	12	40	30	9	8	70
GN 425.1-NI-10-88-GS	10	88**	M 5	15	47	35	11	12	113
GN 425.1-NI-10-88-EP	10	88**	M 5	15	47	35	11	12	113
GN 425.1-A4-10-88-GS	10	88**	M 5	15	47	35	11	12	119
GN 425.1-NI-10-100-GS	10	100	M 5	15	47	35	11	12	121
GN 425.1-NI-10-100-EP	10	100	M 5	15	47	35	11	12	122
GN 425.1-A4-10-100-GS	10	100	M 5	15	47	35	11	12	122
GN 425.1-NI-10-120-GS	10	120**	M 5	15	47	35	11	12	135
GN 425.1-NI-10-120-EP	10	120**	M 5	15	47	35	11	12	131
GN 425.1-A4-10-120-GS	10	120**	M 5	15	47	35	11	12	131
GN 425.1-NI-10-180-GS	10	180**	M 5	15	47	35	11	12	176
GN 425.1-NI-10-180-EP	10	180**	M 5	15	47	35	11	12	176
GN 425.1-A4-10-180-GS	10	180**	M 5	15	47	35	11	12	176
GN 425.1-NI-10-200-GS	10	200	M 5	15	47	35	11	12	189
GN 425.1-NI-10-200-EP	10	200	M 5	15	47	35	11	12	189
GN 425.1-A4-10-200-GS	10	200	M 5	15	47	35	11	12	189
GN 425.1-NI-12-125-GS	12	125	M 6	-	60	44	12	12	220
GN 425.1-NI-12-125-EP	12	125	M 6	-	60	44	12	12	220
GN 425.1-NI-12-160-GS	12	160	M 6	-	60	44	12	12	251
GN 425.1-NI-12-160-EP	12	160	M 6	-	60	44	12	12	252
GN 425.1-NI-12-200-GS	12	200	M 6	-	60	44	12	12	286
GN 425.1-NI-12-200-EP	12	200	M 6	-	60	44	12	12	280
GN 425.1-NI-12-250-GS	12	250	M 6	-	60	44	12	12	330
GN 425.1-NI-12-250-EP	12	250	M 6	-	60	44	12	12	350

** suitable for 19" rack and enclosure layout